

USERS MANUAL

STOP VALVE

zGLO

Fig. 217

Edition: 07/2016

Date: 01.07.2016

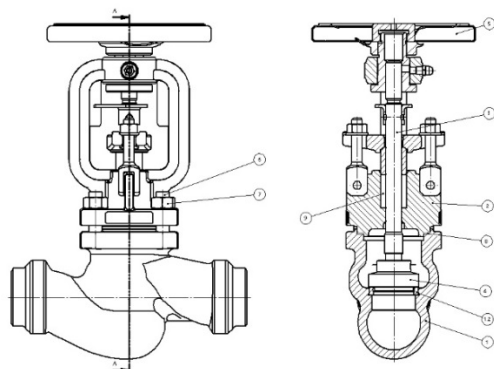
CONTENTS

1. Product description
2. Requirement for maintenance staff
3. Transport and storage
4. Function
5. Application
6. Assembly
7. Maintenance
8. Service and repair
9. Reasons of operating disturbances and remedy
10. Valve service discontinuity
11. Warranty terms



1. PRODUCT DESCRIPTION

Stop valves are manufactured at different executions, they are used as stop valves, throttling valves, SDNR valves. Stem sealing is done by graphite rings.

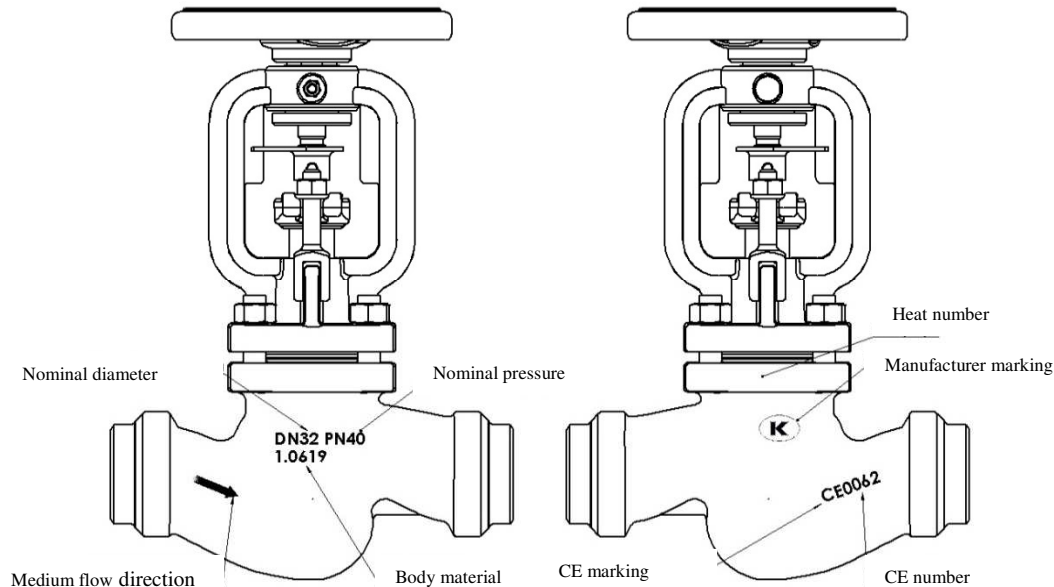


	Body material	F	I
	Type	01:04:31	09:10:40
1	Body	GP240GH 1.0619	G-X5CrNiMo 19-11-2 1.4408
1.2	Seat ring	DN15-50 X20Cr13 1.4021 DN65 – 100 stellite	X5CrNiMo 17-12-2 1.4401 DN65 – 100 padding weld
2	Bonnet	GP240GH 1.0619	G-X5CrNiMo 19-11-2 1.4408
3	Stem	X20Cr13 1.4021	X6CrNiMoTi 17-12-2 1.4571
4	Disc	X20Cr13 1.4021	X6CrNiMoTi 17-12-2 1.4571
5	Hand-wheel	steel	
6	Stud-bolt	24CrMo4	A4 - 70
7	Nut	C35E 1.1181	A4
8	Bonnet gasket	Graphite + CrNist	
9	Gland packing	Graphite	
	Max. temperature	450°C*	400°C

- See point 6

Valves are provided with casted marking according to requirements of PN-EN19 standard. The marking facilitates technical identification and contains:

- diameter nominal DN (mm),
- pressure nominal PN (bar),
- body and bonnet material marking,
- arrow indicating medium flow direction,
- manufacturer marking,
- heat number,
- CE marking, for valves subjected 2014/68/UE directive. CE marking starts from DN32



2. REQUIREMENTS FOR MAINTENANCE STAFF

The staff assigned to assembly, operating and maintenance tasks should be qualified to carry out such jobs. If the valve is provided with mechanical actuators, operating manual of actuator should be obeyed. If during valve operation heat parts of the valve, for example handwheel, body or bonnet parts could cause burn, user is obliged to protect them against touch.

3. TRANSPORT AND STORAGE

Transport and storage should be carried out at temperature from -20°C to 65°C , and valves should be protected against external forces influence and destruction of painting layer as well. The aim of painting layer is to protect the valves against rust during transport and storage. Valves should be kept at unpolluted rooms and they should be also protected against influence of atmospheric conditions. There should be applied drying agent or heating at damp rooms in order to prevent condensate formation. The valves should be transported in such a way to avoid handwheel and valve stem damage.

4. FUNCTION

Valves with stop disc are designed to shut off the flow of the medium. Stop-return valves function not only as stop valves but also as return valves. Versions with throttling disc enable to control the flow. Stop-return valves differ from stop valves on the outside by having a circular crack on the nut mounting the circle.

5. APPLICATION

- industry
- shipbuilding industry
- heating
- refrigeration and air conditioning
- glycol
- industrial water
- diathermic oil
- steam
- compressed air
- neutral fluids

The kind of working medium makes some materials to be use or to be prohibited for use. Valves were designed for normal working conditions. In the case that working conditions exceed these requirements (for example for aggressive or abrasive medium) user should ask manufacturer before placing an order.

When selecting the valve for specific medium, "List of Chemical Resistance" can be helpful. It can be found at manufacturer website near catalogue cards.

Working pressure should be adapted to maximum medium temperature according to the table as below.

		Temperature [° C]									
Material	PN	-60 < do <-10	-10 do 120	100	150	200	250	300	350	400	450
GP240GH	40	30 bar	40 bar	37,1 bar	35,2 bar	33,3 bar	30,4 bar	27,6 bar	25,7 bar	23,8 bar	13,1 bar

		Temperature [° C]								
Material	PN	-60 < do <-10	-10 do 100	150	200	250	300	350	400	
G-X5CrNiMo 19-11-2	40	40 bar	40 bar	36,3 bar	33,7 bar	31,8 bar	29,7 bar	28,5 bar	27,4 bar	

Plant designer is responsible for valve selection suitable for working conditions.

Valves were designed for normal working conditions. In the case that working conditions exceed these requirements (for example for aggressive or abrasive medium) user should ask manufacturer before placing an order.

6. ASSEMBLY

During the assembly of balancing valves following rules should be observed:

- to evaluate before an assembly if the valves were not damaged during the transport or storage,
- to make sure that applied valves are suitable for working conditions and medium used in the plant,
- to take off dust caps if the valves are provided with them,
- to protect the valves during welding jobs against splinters and used plastics against excessive temperature,
- steam pipelines should be fitted in such a way to avoid condensate collection; in order to avoid water hammer steam trap should be applied



valve made of GP240GH may not be installed as part of the End of the pipeline if the temperature will be lower than -10 or higher than 400 C



Pipeline where the valves are fitted should be conducted and assembled in such a way that the valve body is not subjected to bending moment and stretching forces.

- during pipeline painting valve stem should be protected,
- stop valves can be assembled in any position, however it is recommended to install the valve with handwheel upwards,



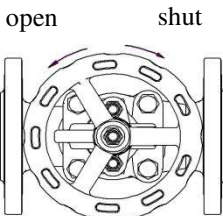
It should be take note of medium flow direction, marked with an arrow on the body.

- before plant startup, especially after repairs carried out, flash out the pipeline through entirely open valve, in order to avoid solid particles or welding splinters which may be harmful for sealing surfaces,
- strainer (wire mesh filter) installed before the valve increases certainty of its correct action.

7. MAINTENANCE

During maintenance following rules should be observed:

- startup process – sudden changes of pressure and temperature should be avoided when starting the plant,
- valve is closed by turning the handwheel clockwise when looking from above the handwheel (according to arrow direction marked on the handwheel),

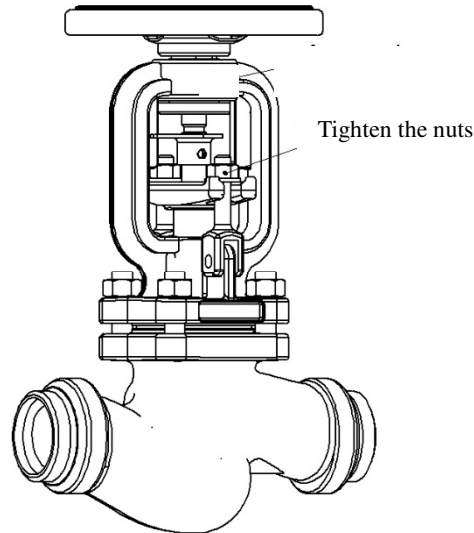


- valve is opened by turning the handwheel counter-clockwise,



It is prohibited to use additional lever when turning the handwheel,

- performance of fitted valves can be checked by multiple closing and opening, if leakage on stem occurs it is necessary to tighten with moderate force two T-bolt nuts pressing the packing gland until the leakage disappear.



8. SERVICE AND REPAIR



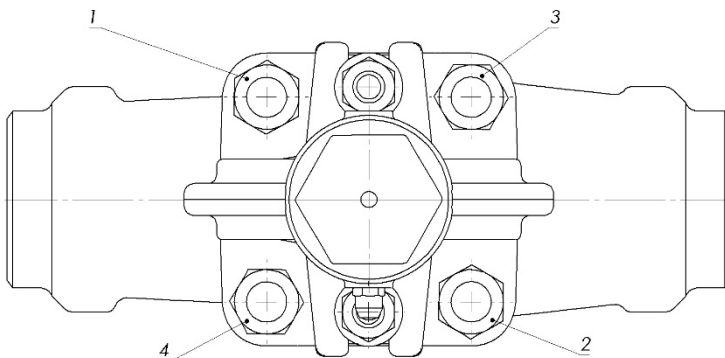
In order to assure safety performance, each valve (especially rarely used) should be surveyed on regular basis. Inspection frequency should be laid down by user, but not less than one time per month.

- All service and repair jobs should be carried out by authorized staff using suitable tools and original spare parts. Before disassembly of complete valve from the pipeline or before service, the pipeline should be out of operation. During service and repair jobs it is necessary to decrease pressure to 0 bars, valve temperature to ambient temperature and to use personal health protectives in pursuance of existing threat.



Precautions should be taken when touching gasket between body and valve bonnet. The gasket contains stainless steel stripe that may cause injury,

- Everytime when valve bonnet was disassembled sealing surface should be cleaned. During assembly it should be applied new gasket of the same type as previously used. Body-bonnet bolt connections should be tighten when the valve is at open position.
- The bolts should be tighten evenly and crosswise by torque wrench.



- Tighten torques

Screw	Torque
M8	15-20 Nm
M10	35 -40 Nm
M12	65 – 70 Nm
M16	140 -150 Nm

- before valves re-assembly in the pipeline it is necessary to check valve operation and tightness of all connections. Tightness test should be carried out with water pressure of 1,5 nominal pressure of the valve.

9. REASONS OF OPERATING DISTURBANCES AND REMEDY

- When seeking of valve malfunction reasons safety rules should be strictly obeyed

Fault	Possible reason	Remedy
No flow	Valve closed	Open the valve
Poor flow	Valve is not open enough	Open the valve
	Dirty filter	Clean or replace the screen
	Clogged pipeline	Check the pipeline
Control difficulties	Dry stem	Grease the stem
	Gland packing tighten too much	Slightly slacken gland nuts. Put attention to keep stuffing box tightness
Stem leakage	Too much loose on the gland	Tighten the gland until tightness will be reached. If necessary add packing rings in stuffing box. Keep special caution.
Seat leakage	Shut off not correct	Tighten the handwheel without any auxiliary tools
	Seat or disc damage	Replace the valve and contact supplier or manufacturer
	Pressure difference too much	Apply the valve with balancing disc. Check if the valve was assembled according to arrow direction marked on the valve.
	Medium polluted with solid particles	Clean the valve. Fit strainer before the valve.

In case of leakage of medium that is not indifferent to the environment, protective measures should be taken.

10. VALVE SERVICE DISCONTINUITY

All obsolete and dismantled valves must not be disposed with household waste. ZETKAMA valves are made of materials which can be re-used and should be delivered to designated recycling centres.

11. WARRANTY TERMS

- ZETKAMA grants quality warranty with assurance for proper operation of its products, providing that assembly of them is done according to the users manual and they are operated according to technical conditions and parameters described in ZETKAMA's catalogue cards. Warranty period is 18 months starting from assembly date, however not longer than 24 months from the sales date.

- warranty claim does not cover assembly of foreign parts and design changes done by user as well as natural wear.

- immediately after detection the user should inform ZETKAMA about hidden defects of the product

- a claim should be prepared in written form.

Address for correspondence :

ZETKAMA Sp. z o.o.
ul. 3 Maja 12
57-410 Ścinawka Średnia

Phone +48 74 86 52 111
Fax +48 74 86 52 101
Website: www.zetkama.com