

USERS MANUAL

Check valve

zCHE

Fig.407

Edition: 01/2022

Date: 12.01.2022

CONTENTS

1. Product description
2. Requirement for maintenance staff
3. Transport and storage
4. Application
5. Assembly
6. Maintenance
7. Service and repair
8. Valve service discontinuity
9. Warranty terms



Fig. 407

1. PRODUCT DESCRIPTION



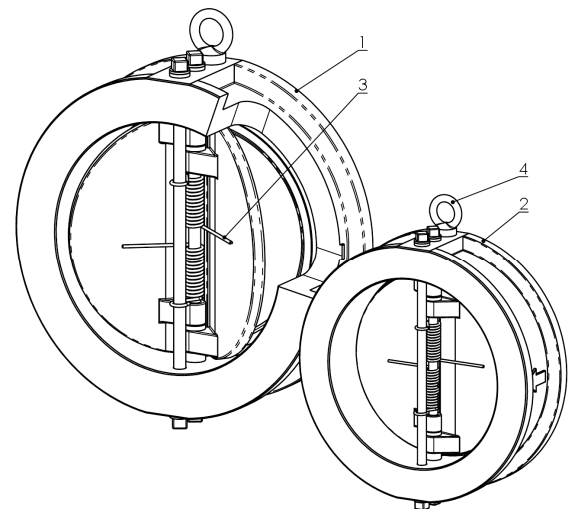
figure	407
ends form	wafer type straight

The valves in series 407 are dual-plate wafer check valves, which are manufactured in accordance with the most severe product norms, and in conformity with the quality requirements of EN ISO 9001. Available with cast iron body, as well as with stainless steel body.

Available in the following versions:

- 407A

1. Mounting between flanges, reduced dimensions.
2. Face to face dimensions - standardized - EN 558-49.
3. The stainless steel spring allows the disc to close; consequently, the valve may be mounted in all positions.
4. Easy positioning and mounting, thanks to the eyebolt.



2. REQUIREMENTS FOR MAINTENANCE STAFF

The staff assigned to assembly, operating and maintenance tasks should be qualified to carry out such jobs.

3. TRANSPORT AND STORAGE

Keep in a closed and dry place. Avoid exposure to direct sunlight. Protect from moisture and mechanical damage. The temperature of the storage should not exceed -10 ° C to 50 ° C.

4 APPLICATION

Heating, air conditioning, water systems, industrial and hydraulic installations. Stainless steel version : chemical industry, food industry, steam.

5. INSTALLATION

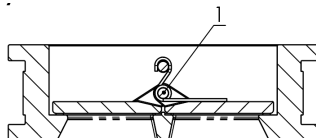
- Handle with care.
- Use the supplied eyebolt to lift the valve.
- the internal minimum diameter of the flanges has to be chosen to enable the correct opening of the plates (fig. 1)
- The springs of the 2 plates do not grant the closure in the absence of pressure when the valve is vertically installed in descendent fluid direction.
- For mounting in horizontal position the hinge pin has always to be in vertical position (fig. 2)
- Do not install in the presence of intermittent flow
- It is recommended that the valve be positioned some distance from any change of direction in the pipe work or from other apparatus in order not to place it in a turbulent zone which would increase its wear. 3 x DN in a straight line upstream and 5 x DN downstream of the valve.



NOTE. This valve is unidirectional: install according to the flow direction marked on the body.

4. MAINTENANCE

- Remove the valve from the pipe and lean it on a plane surface
- Remove the plugs that close the housing of hinge pin 1
- Push the pin and extract it from the body
- Keep the springs fixed during the operation
- Clean the components and control the status of the seats and plate
- Replace the plate and insert the hinge pin.



5. SERVICE AND REPAIR

Before going to maintain or dismantling:

- be sure that pipes, valves and fluids are cooled down,
- decrease pressure and drain lines and pipes in case of presence of toxic, corrosive, inflammable and caustic liquids. Temperatures above 50°C and below 0°C might cause damage to people.

8. VALVE SERVICE DISCONTINUITY

All obsolete and dismantled valves must not be disposed with household waste. ZETKAMA valves are made of materials which can be re-used and should be delivered to designated recycling centres.

9. WARRANTY TERMS

- ZETKAMA grants quality warranty with assurance for proper operation of its products, providing that assembly of them is done according to the users manual and they are operated according to technical conditions and parameters described in ZETKAMA's catalogue cards. Warranty period is 18 months starting from assembly date, however not longer than 24 months from the sales date.
- warranty claim does not cover assembly of foreign parts and design changes done by user as well as natural wear.
- immediately after detection the user should inform ZETKAMA about hidden defects of the product
- a claim should be prepared in written form.

Address for correspondence :

ZETKAMA Sp. z o.o.
ul. 3 Maja 12
57-410 Ścinawka Średnia

Phone +48 74 86 52 111
Fax +48 74 86 52 101
Website: www.zetkama.com